

# Low pressure gauge with nickel plated steel case

## Model: P440 series

Spec. sheet no. PD04-06

### Service intended

P440 series are designed to measure low, vacuum or compound pressure. These models have beryllium copper element and nickel plated steel case.

### Nominal diameter

63, 75 and 100 mm

### Accuracy

±1.5 % of full scale

### Scale range (kPa, mbar)

-50 ~ 0 to -5 ~ 0 kPa

-15 ~ 15 to -2.5 ~ 2.5 kPa

0 ~ 5 to 0 ~ 50 kPa

### Working pressure

Steady : 75 % of full scale

Over range protection : 130% of full scale

### Working temperature

Ambient : -20 ~ 60 °C

Fluid : Max. 60 °C

### Temperature effect

Accuracy at temperature above and below the reference temperature (20 °C) will be effected by approximately ±0.6 % per 10 °C of full scale



Model : P440



Model : P440 (PC cover)

## Standard features

### Pressure connection

Nickel plated brass

316SS, only available with 63 mm "F" type and "J" type

### Element

Beryllium copper

### Case

Nickel plated steel

Stainless steel (304SS), only available with 63 mm "F" and "J" type

### Cover

Nickel plated steel

Stainless steel (304SS), only available with 63 mm "F" and "J" type

### Window

Glass

Polycarbonate

### Movement

Brass

### Dial

White aluminium with black graduations

### Pointer

Black painted aluminium alloy

### Process connection

63 mm : 1/8", 1/4" PT, NPT and PF

75 mm : 1/4", 3/8" PT, NPT and PF

100 mm : 3/8", 1/2" PT, NPT and PF

**1. Base model**

**P440** Low pressure gauge with nickel plated steel case

**2. Nominal diameter, case and cover material**

- 2** 63 mm, steel case and cover, only available with "A" type
- 3** 75 mm, steel case and cover
- 4** 100 mm, steel case and cover

**3. Type of mounting**

- A** Bottom connection, direct
- F** Center back, direct, only available with diameter 63 mm and stainless steel case
- J** Center back, flush, only available with diameter 63 mm

**4. Accuracy**

- 4** ±1.5 % of full scale

**5. Process connection**

- B** 1/8"
- C** 1/4"
- D** 3/8", not available with diameter 63 mm
- E** 1/2", only available with diameter 100 mm

**6. Connection type**

- B** PF
- C** PT
- D** NPT

**7. Unit**

- J** kPa
- S** mbar

**8. Range**

**XXX** Refer to pressure unit and range table

**9. Pressure connection material and Dial color**

- 1** Brass and 2 colors
- 5** Brass and 3 colors
- 3** 316SS and 2 colors, Only available with 63 mm "F" and "J" type
- 7** 316SS and 3 colors, Only available with 63 mm "F" and "J" type

**10. Option**

- 0** None
- 1** Accessories

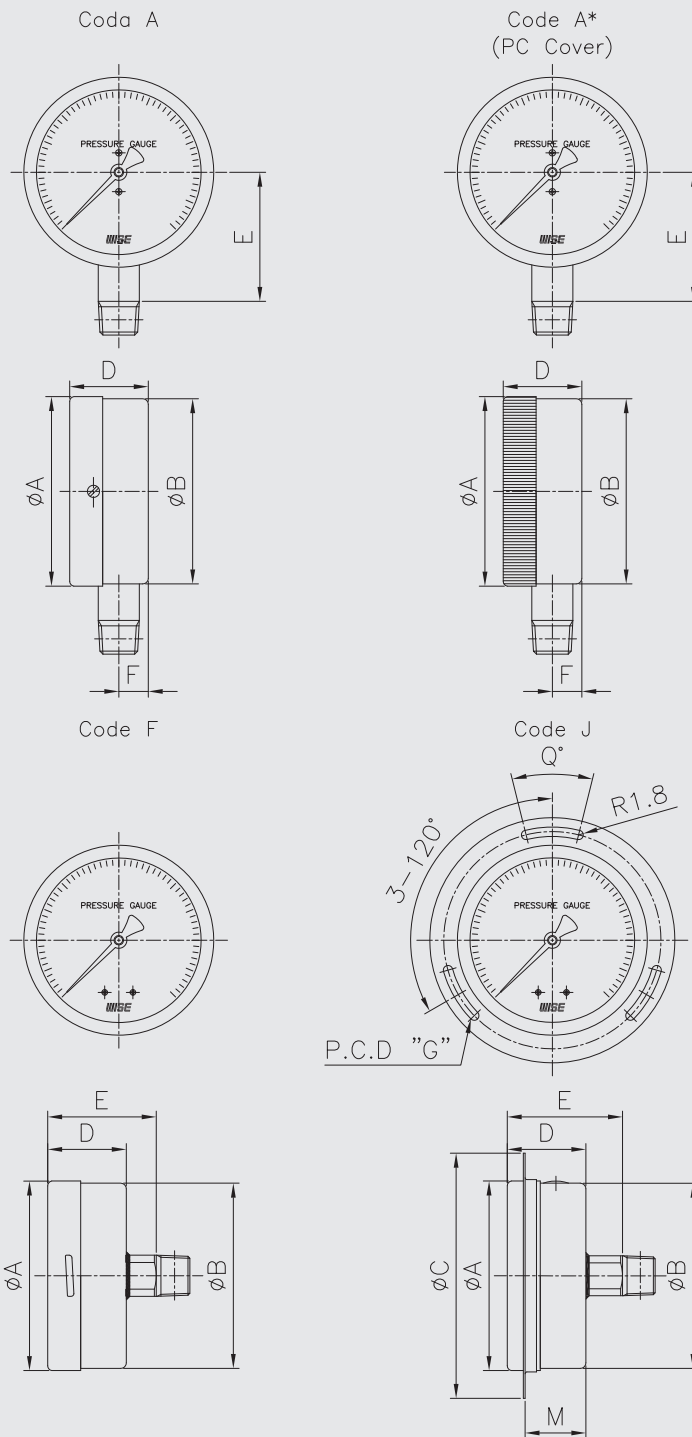
**Sample ordering code**

1	2	3	4	5	6	7	8	9	10
P440	2	A	4	D	B	J	XXX	1	0



© WISE Control Inc. All rights reserved. ALL PRODUCT, PRODUCT SPECIFICATIONS AND DATA ARE SUBJECT TO CHANGE WITHOUT NOTICE TO IMPROVE RELIABILITY, FUNCTION OR DESIGN OR OTHERWISE.

## P440 : Type of mounting



Dimensions (mm)

Dial size	Available code	A	B	C	D $\pm 2$	E $\pm 2$	F $\pm 1$	M	G	Q
63	A	66	65		31.5	73.5	11			
75		78	77		40	54.5	11			
100		100.3	99		45	60	14			
63	F	64	62		34	78				
	J	64	66	86	34	45		28	75	15
75	A*	84	77		38.5	49	11			

## Pressure unit and range table

Range and code	Unit and code		Nominal diameter			
	S : mbar	J : kPa	63 mm	75 mm	100 mm	75 mm (PC cover)
105	-500 ~ 0	-50 ~ 0	○	○	○	○
400	-300 ~ 0	-30 ~ 0	○	○	○	○
401	-200 ~ 0	-20 ~ 0	○	○	○	○
402	-150 ~ 0	-15 ~ 0	○	○	○	○
403	-100 ~ 0	-10 ~ 0	○	○	○	○
405	-50 ~ 0	-5 ~ 0	○	○	○	○
472	-150 ~ 150	-15 ~ 15	○	○	○	○
470	-100 ~ 100	-10 ~ 10	○	○	○	○
413	-50 ~ 50	-5 ~ 5	○	○	○	○
417	-30 ~ 30	-3 ~ 3	○	○	○	○
418	-25 ~ 25	-2.5 ~ 2.5	○	○	○	○
465	0 ~ 50	0 ~ 5	○	○	○	○
469	0 ~ 100	0 ~ 10	○	○	○	○
515	0 ~ 150	0 ~ 15	○	○	○	○
437	0 ~ 200	0 ~ 20	○	○	○	○
517	0 ~ 250	0 ~ 25	○	○	○	○
518	0 ~ 300	0 ~ 30	○	○	○	○
121	0 ~ 400	0 ~ 40	○	○	○	○
040	0 ~ 500	0 ~ 50	○	○	○	○

○ : Available