

Instruction Manual

BL 983317-0
BL 983317-1

Panel-Mounted EC Indicators & Controllers



WARRANTY

These instruments are guaranteed for two years against defects in workmanship and materials when used for their intended purpose and maintained according to instructions. Electrodes and probes are guaranteed for six months. This warranty is limited to repair or replacement free of charge.

Damages due to accidents, misuse, tampering or lack of prescribed maintenance are not covered.

If service is required, contact the dealer from whom you purchased the instrument. If under warranty, report the model number, date of purchase, serial number and the nature of the problem. If the repair is not covered by the warranty, you will be notified of the charges incurred. If the instrument is to be returned to Hanna Instruments, first obtain a Returned Goods Authorization number from the Technical Service department and then send it with shipping costs prepaid. When shipping any instrument, make sure it is properly packaged for complete protection.

Recommendations for Users

Before using these products, make sure that they are entirely suitable for the environment in which they are used. Operation of these instruments in residential areas could cause unacceptable interferences to radio and TV equipment. Any variation introduced by the user to the supplied equipment may degrade the instrument's EMC performance. To avoid electrical shock, do not use these instruments when voltages at the measurement surface exceed 24 Vac or 60 Vdc. To avoid damages or burns, do not perform any measurement in microwave ovens.

Dear Customer,

Thank you for choosing a Hanna Instruments product. Please read this instruction manual carefully before using these instruments. This manual will provide you with the necessary information for correct use of these instruments. If you need additional technical information, do not hesitate to e-mail us at tech@hannainst.com or view our worldwide contact list at www.hannainst.com.

PRELIMINARY EXAMINATION

Remove the instrument from the packing material and examine it carefully to make sure that no damage has occurred during shipping. If there is any damage, notify your Dealer or the nearest Hanna Customer Service Center. Each meter is supplied with:

- Mounting brackets
- Instruction manual

Note: Save all packing material until you are sure that the instrument functions correctly. All defective items must be returned in the original packing with the supplied accessories.

GENERAL DESCRIPTION

BL983317-0 and BL983317-1 are conductivity indicators and controllers with a relay output designed for simplicity of use in a wide range of applications.

Connections and wiring to probe, power supply and contacts are made via the terminal blocks on the rear panel.

The probe is easy to clean and requires little maintenance.

Other features include: automatic temperature compensation of readings, single point calibration, overtime control system, multi-colour LED for indicating if the meter is in measurement/dosing/alarm condition, possibility to set (Off-Auto-On switch) dosing action mode.

Two models are available:

- BL 983317-0 powered at 12 Vdc
- BL 983317-1 powered at 115 or 230 Vac

All rights are reserved. Reproduction in whole or in part is prohibited without the written consent of the copyright owner, Hanna Instruments Inc., Woonsocket, Rhode Island, 02895, USA.

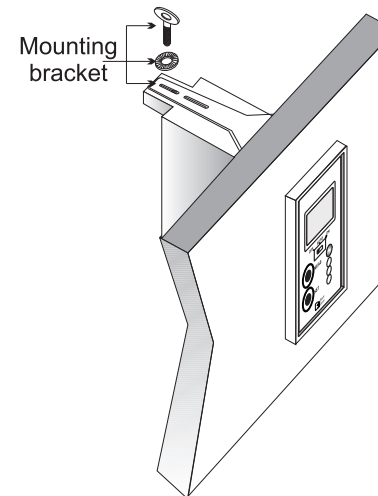
SPECIFICATIONS

Range	0.00 to 10.00 mS/cm
Resolution	0.01 mS/cm
Accuracy (@ 25 °C / 77 °F)	±2% f.s.
Probe	HI 7632-00 EC/TDS probe (not included)
Temp. Compensation	Automatic from 5 to 50 °C (41 to 122 °F); $\beta = 2\%/^{\circ}\text{C}$
Calibration	Manual, through CAL trimmer
Dosing Contact	Maximum 2A (fuse protected), 250 Vac, 30 Vdc Contact close when measure < setpoint
Setpoint	Adjustable, from 0 to 10 mS/cm
Overtime	Adjustable, typically from 5 to approx. 30 minutes
Power Consumption	10 VA
Installation Category	II
Power supply:	External (fuse protected)
BL983317-0	12 Vdc
BL983317-1	115/230 Vac; 50/60 Hz
Dimensions	83 x 53 x 99 mm (3.3 x 2.1 x 3.9")

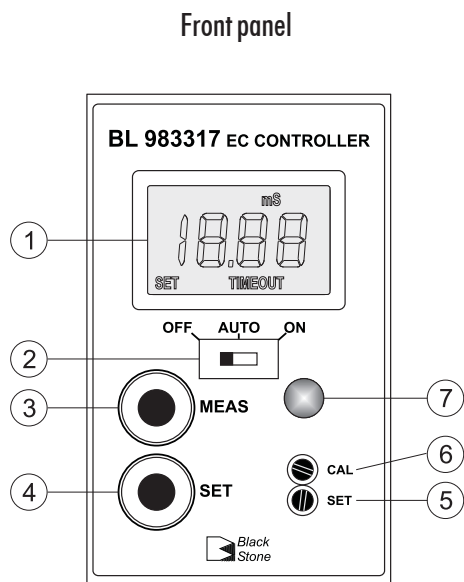
ACCESSORIES

HI 7632-00	EC/TDS probe
HI 70039P	5.00 mS/cm calibration solution, 20 mL sachet (25 pcs.)
HI 7039M	5.00 mS/cm calibration solution, 230 mL
HI 7039L	5.00 mS/cm calibration solution, 500 mL
HI 7061M	Probe cleaning solution, 230 mL bottle
HI 7061L	Probe cleaning solution, 500 mL bottle
HI 710005	12 Vdc power adapter, US plug
HI 710006	12 Vdc power adapter, European plug
HI 710012	12 Vdc power adapter, Australian plug
HI 710013	12 Vdc power adapter, South African plug
HI 710014	12 Vdc power adapter, UK plug
HI 731326	Calibration screwdriver (20 pcs.)
HI 740146	Mounting brackets

ASSEMBLING VIEW

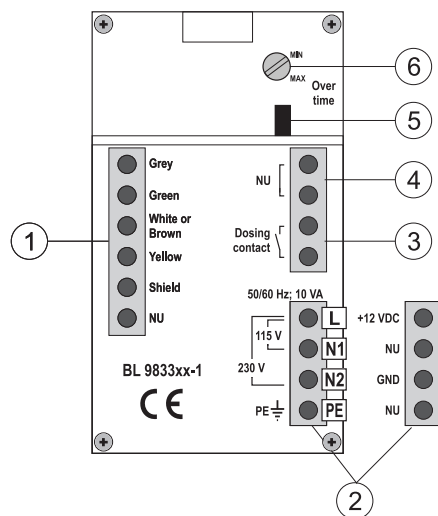


FUNCTIONAL DESCRIPTION



1. Liquid Crystal Display
2. Switch for selecting dosing mode:
 - **OFF** = dosing disabled
 - **Auto** = automatic dosage, depending on setpoint value
 - **ON** = dosing always active
3. **MEAS** key to set the instrument to measurement mode
4. **SET** key to display and set the setpoint value
5. **SET** trimmer to adjust the setpoint value
6. **CAL** trimmer
7. 3-colour LED indicator:
 - Green = meter in measurement mode
 - Orange/Yellow = dosing in progress
 - Red, blinking = indicates an alarm condition

Rear panel



1. Connections for EC probe
2. Power supply terminal:
 - for **BL983317-0** model: 12 Vdc adapter
 - for **BL983317-1** model: 115 Vac or 230 Vac option
3. This contact acts as a switch for driving the dosing system (e.g. dosing pump)
4. Not used contact
5. Jumper for enabling (jumper in) or disabling (jumper removed) the overtime control
6. Trimmer for overtime setting (typically from 5 to 30 minutes)



All external cables connected to the rear panel should end with cable lugs.



A circuit breaker (rated 6A max.) must be connected in close proximity to the equipment, and in a position easy to reach by the operator, for disconnection of the instrument and of all the devices connected to the relays.

OPERATIONS

REAR PANEL CONNECTIONS

Terminals #1: Probe

- Connect the **HI 7632-00** probe by following the colour indication of the wires.

Terminals #2: Power Supply

- Model **BL983317-0**: connect the 2 wires of a 12 Vdc power adapter to the terminals +12 Vdc and GND.
- Model **BL983317-1**: connect a 3-wire power cable to the terminals while paying attention to the correct earth (PE), line (L) and neutral (N1 for 115 V or N2 for 230 V) contacts.

Terminals #3: Dosing Contact

- This contact drives the dosing system according to the selected setpoint.

Note: The setpoint has a typical hysteresis value comparable to the meter's accuracy.

Terminals #4: Not Used Contact

Overtime system: jumper (#5) and trimmer (#6)

- This system allows the user to set a maximum dosing period, by adjusting the rear trimmer from 5 (min) to approx. 30 (max) minutes.
- When the set time is exceeded, any dosing action stops, the LED indicator on the front panel will blink Red and the LCD will show the "TIMEOUT" warning message. To exit the overtime condition, set the **OFF/Auto/ON** switch to **OFF** position, and then to **Auto** again.
- For disabling the overtime feature, simply remove the jumper from the rear panel.

Note: The overtime system works only if the **OFF/Auto/ON** switch is in **Auto** position.

OPERATING THE METER

Before proceeding make sure that:

- the meter has been calibrated;
- the setpoint value has been properly adjusted;
- all rear panel wiring and selections are correct;
- the **OFF/Auto/ON** switch is in the desired position.

Install or immerse the probe in the solution to be monitored, then press the **MEAS** key (if necessary).

The LCD will show the EC (mS/cm) value. The LED indicator will light up Green when the meter is in measurement mode and dosing is not active, while it will light up Orange/Yellow signaling that a dosing action is in progress.

CALIBRATION

To calibrate the meter, proceed as follows:

- ensure the meter is in measurement mode;
- immerse the probe in **HI 7039** calibration solution (5.00 mS/cm);
- shake briefly and wait for reading to stabilize;
- adjust the **CAL** trimmer to read "5.00 mS" on the LCD.

SETPOINT

Press the **SET** key: the display will show the default or previously adjusted value, together with the "SET" indication. Using a small screwdriver adjust the **SET** trimmer until the desired setpoint value is displayed.

After 1 minute the meter automatically returns to the normal mode; if not, press the **MEAS** key.

PROBE MAINTENANCE

To improve the probe's performance and prolong its life, it is recommended to clean it regularly.

- Immerse the tip of the probe in **HI 7061** Cleaning Solution at least for one hour.
- If a more thorough cleaning is required, brush the metal pins with very fine sandpaper.
- After cleaning, rinse the probe with tap water and recalibrate the meter.
- When not in use, clean the probe before storing it.

Hanna Instruments reserves the right to modify the design, construction or appearance of its products without advance notice.